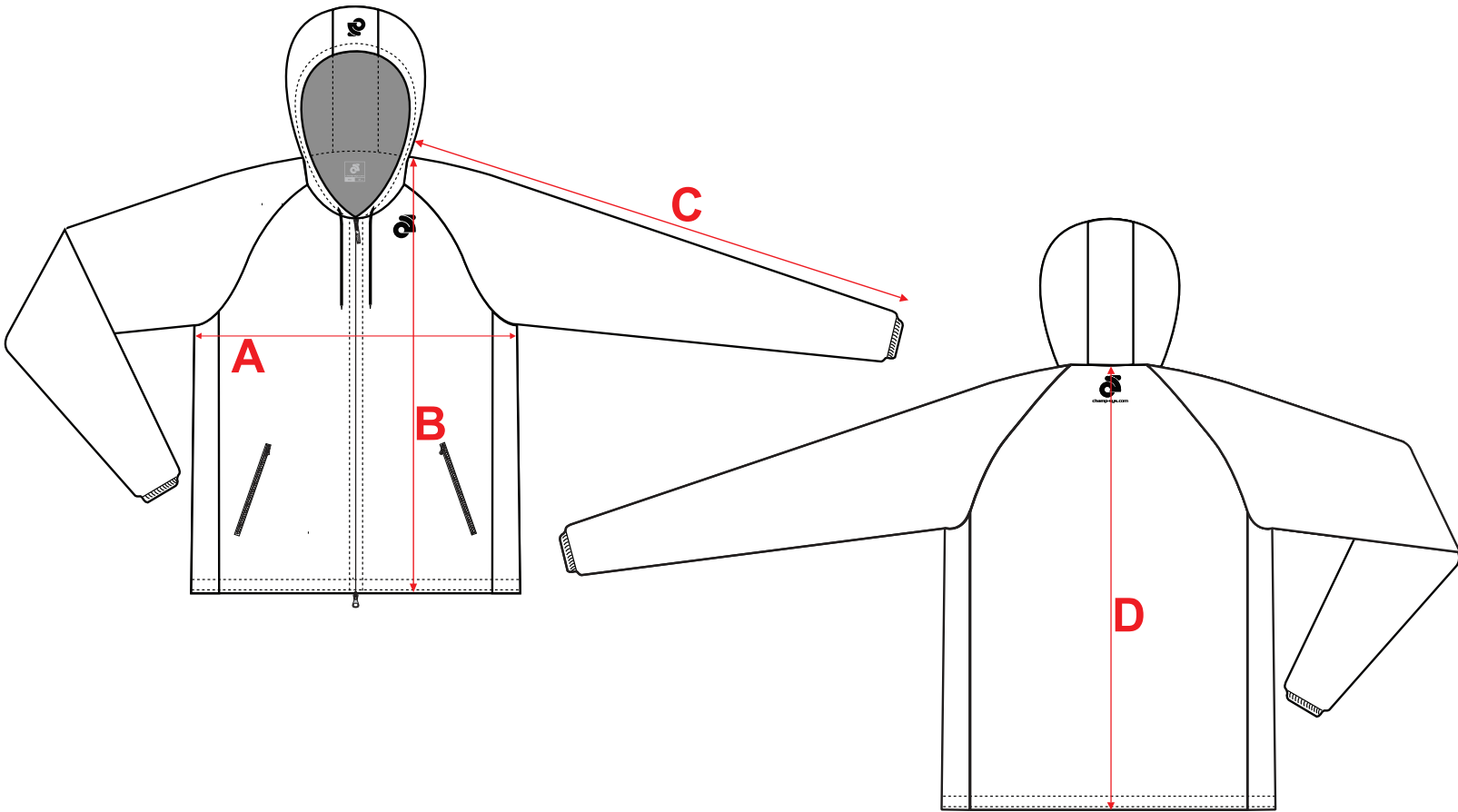


If you're unsure which size to buy, try measuring a Wind Guard Casual Jacket Hoodie With mesh that you already own that fits you well, and compare those measurements to the size chart. Lay the Wind Guard Casual Jacket Hoodie With mesh on a flat surface and use the above guide to measure the Wind Guard Casual Jacket Hoodie With mesh.

Note: All measurements are approximate.

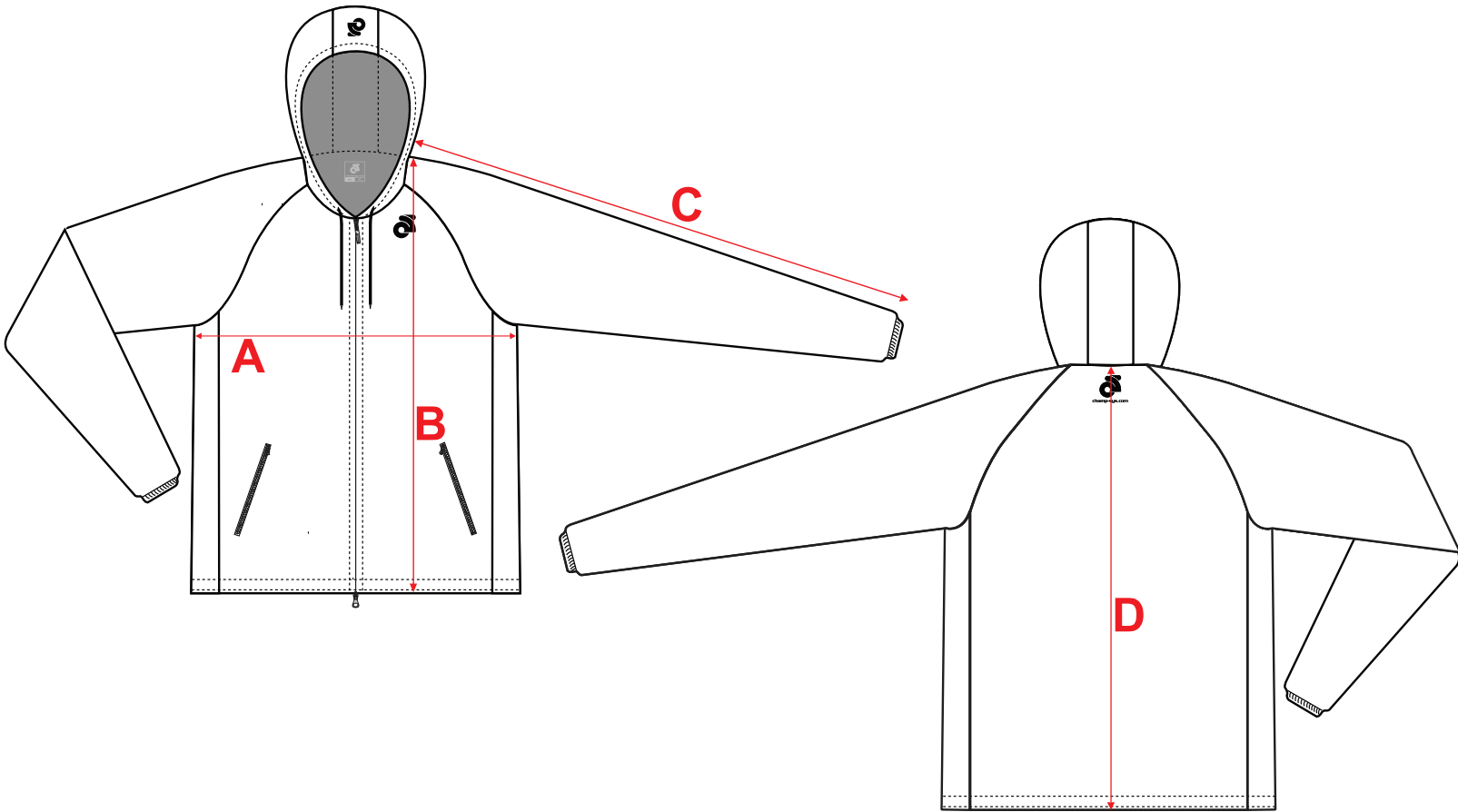
Size	A (Chest)	B (Front Length)	C (L/S Length)	D (Back Length)
XS	19"	26 1/2"	31 1/2"	26 1/4"
S	20"	27 1/4"	32 1/4"	27"
M	21"	28"	33"	27 3/4"
L	22"	28 3/4"	33 3/4"	28 3/8"
XL	23"	30 1/2"	34 1/2"	29"
2XL	24"	31 1/4"	35 1/4"	29 5/8"
3XL	25 1/2"	32"	35 5/8"	30 1/4"
4XL	27"	32 3/4"	36"	30 7/8"



If you're unsure which size to buy, try measuring a Wind Guard Casual Jacket Hoodie With mesh that you already own that fits you well, and compare those measurements to the size chart. Lay the Wind Guard Casual Jacket Hoodie With mesh on a flat surface and use the above guide to measure the Wind Guard Casual Jacket Hoodie With mesh.

Note: All measurements are approximate.

Size	A (Chest)	B (Front Length)	C (L/S Length)	D (Back Length)
XS	18"	25 3/4"	30 3/4"	25 1/2"
S	19"	26 1/2"	31 1/2"	26 1/4"
M	20"	27 1/4"	32 1/4"	27"
L	21"	28"	33"	27 5/8"
XL	22"	29 3/4"	33 3/4"	28 1/4"
2XL	23"	30 1/2"	34 1/2"	28 7/8"
3XL	24 1/2"	31 1/4"	34 7/8"	29 1/2"
4XL	26"	32"	35 1/4"	30 1/8"



If you're unsure which size to buy, try measuring a Wind Guard Casual Jacket Hoodie With mesh that you already own that fits you well, and compare those measurements to the size chart. Lay the Wind Guard Casual Jacket Hoodie With mesh on a flat surface and use the above guide to measure the Wind Guard Casual Jacket Hoodie With mesh.

Note: All measurements are approximate.

Size	A (Chest)	B (Front Length)	C (L/S Length)	D (Back Length)
JR-XS/TP 7-8	16"	20 1/2"	22 1/2"	19 3/4"
JR-S/P 9-10	17"	21 3/4"	23 1/2"	21 1/8"
JR-M 11-12	18"	23"	24 1/2"	22 1/2"
JR-L/G 13-14	19 1/4"	24 3/4"	26"	24 1/8"
JR-XL/TG 15-16	20 1/2"	26 1/2"	27 1/2"	25 3/4"